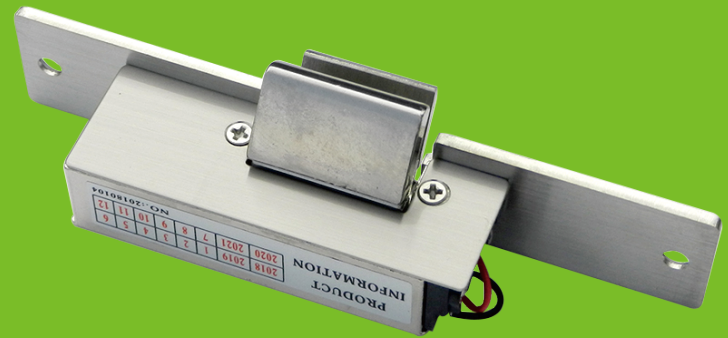


## Fail Safe Electric Strike lock for Glass Door



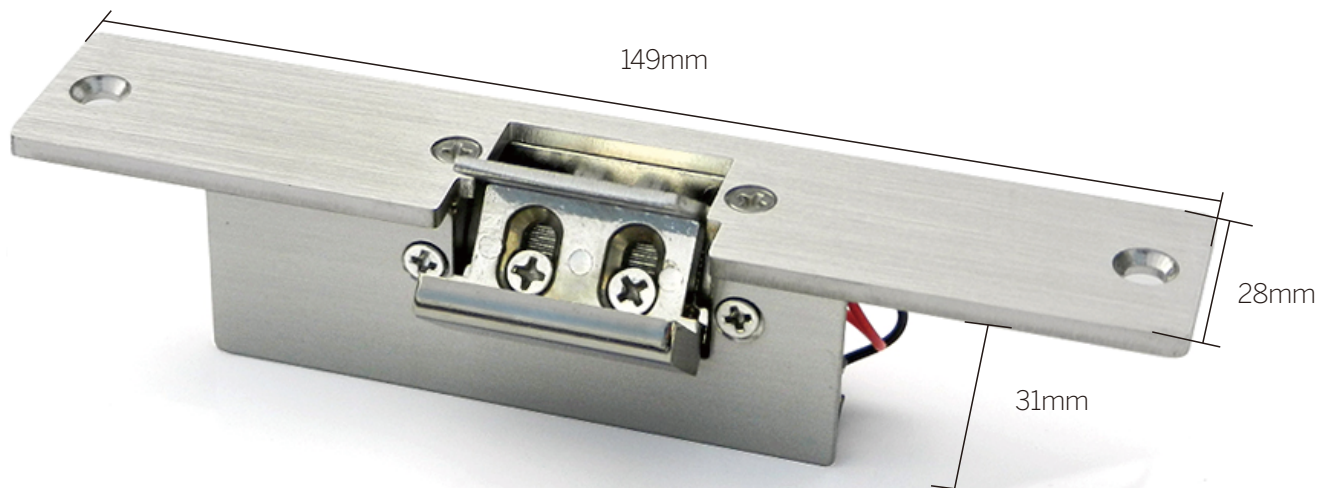
ES-140

### Specifications

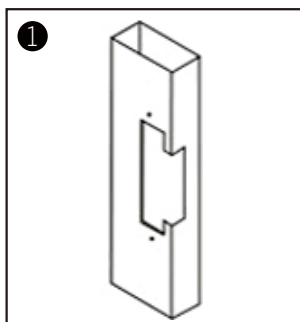
Lock Size	149x28Wx31H(mm)
Strike Structure	Stainless Steel
Holding Force	250kg
Voltage	DC12V
Current	240mA(ES-140A), 120mA(ES-140B)
Feature	Locked when energized
Surface Temperature	Within +20°C
Suitable Temperature	-10°C~25°C(14°F-131°F)
Faceplate Housing	Painted Steel
Function	Built-out MOV
Glass Thickness	8-12mm
Suitable For	Glass Door
Opening Model	90 Degree Swinging Door
Weight	0.4kg
Standard Packing	60pcs/box

## Dimensions

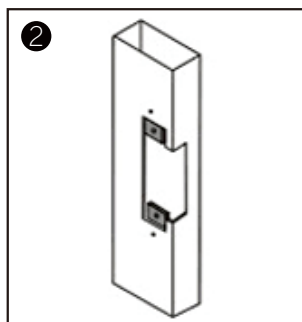
149x28Wx31H(mm)



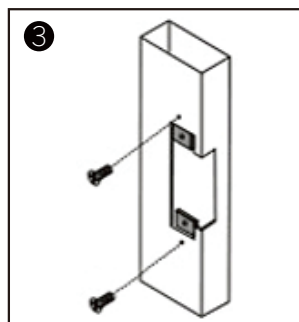
## Installation



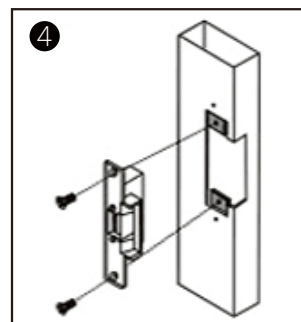
1 Cutting according to the size of the electric lock



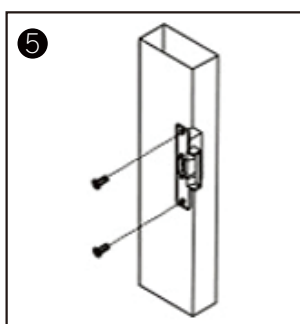
2 Insert extension plate



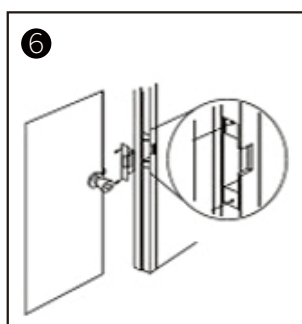
3 Fix extension plate



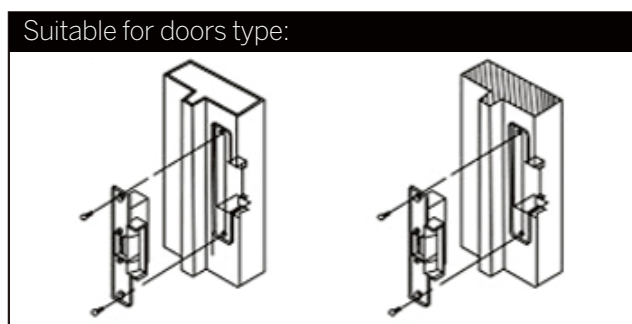
4 After installed, power on and test it



5 Fix strike lock



6 Finish



Suitable for doors type:

Metal door frame

Wooden door frame



S4A Industrial Co., Limited

Address: 6th Floor, Haotai Industrial Zone, Minzhi road, Longhua District, Shenzhen. CN 518131

Tel: +86 755 29450011

[www.s4a-access.com](http://www.s4a-access.com) / Email: [sales@s4a-access.com](mailto:sales@s4a-access.com)  
Mob/Whatsapp/Wechat/Viber: +86 134 1050 0721